

Service Manual

Speaker System SB-HD50A

Hi-Fi Speaker System

Colour

(M) ... Brown Type



■ SPECIFICATIONS

| | |
|------------------------------------|--|
| Type | 2-way 2-speaker system |
| Speakers | Woofer: 12 cm cone type Tweeter: 6 cm cone type |
| Impedance | 6 Ω |
| Input Power | 60W, (Music) 30W (DIN) |
| Output Sound Pressure Level | 85 dB/W (1,0 m) |
| Crossover Frequency | 2,5 kHz |
| Frequency Range | 45 Hz \approx 30 kHz (-16 dB) 55 Hz \approx 26 kHz (-10 dB) |
| Dimensions (W x H x D) | 190 x 297 x 216 mm |
| Weight | 3,6 kg |

Note:

Design and specifications are subject to change without notice.

■ ESPECIFICACIONES

| | |
|--|--|
| Tipo | Sistema de 2 vías con 2 altavoces |
| Altavoces | Graves: tipo cónico de 12 cm Agudos: tipo cónico de 6 cm |
| Impedancia | 6 Ω |
| Capacidad de potencia | 60W (Musicales) 30W (DIN) |
| Nivel de presión acústica de salida | 85 dB/W (1,0 m) |
| Frecuencia de cruce | 2,5 kHz |
| Respuesta de frecuencias | 40 Hz \approx 30 kHz (-16 dB) 55 Hz \approx 26 kHz (-10 dB) |
| Dimensiones (W x H x D) | 190 x 297 x 216 mm |
| Peso | 3,6 kg |

Nota:

Estas especificaciones están sujetas a cualquier cambio sin previo aviso.

■ SPECIFICATIONS

| | |
|--|--|
| Type | 2-voies 2-haut-parleurs |
| Haut-parleurs | Graves: 12 cm type a cone Aigus: 6 cm type cone |
| Impédance | 6 Ω |
| Entrée maximale | 60W, (Musique) 30W (DIN) |
| Niveau de pression sonore de sortie | 85 dB/W (1,0 m) |
| Fréquence de conmutation | 2,5 kHz |
| Gamme de fréquences | 45 Hz \approx 30 kHz (-16 dB) 55 Hz \approx 26 kHz (-10 dB) |
| Dimensions (W x H x D) | 190 x 297 x 216 mm |
| Poids | 3,6 kg |

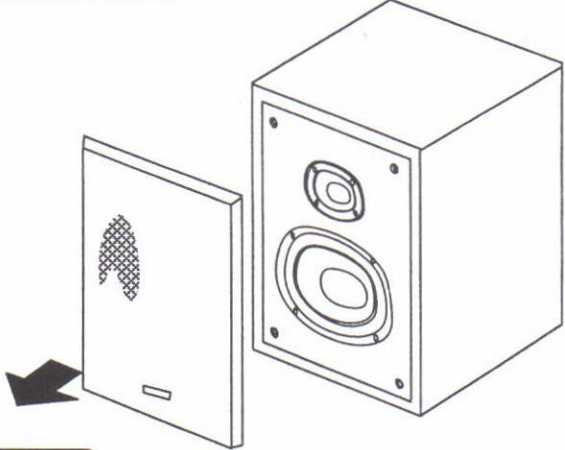
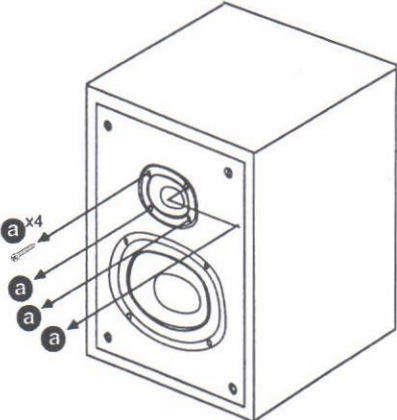
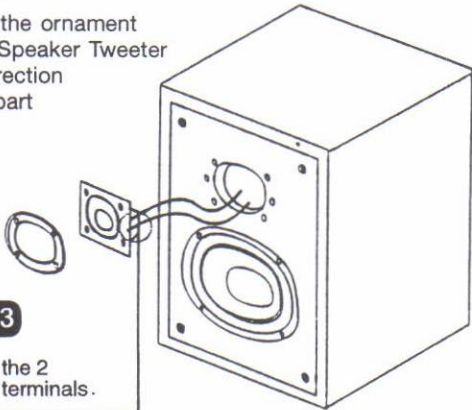
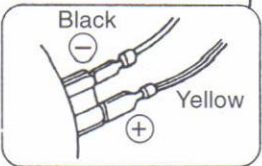
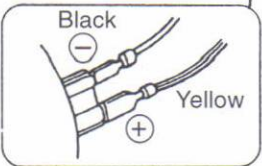

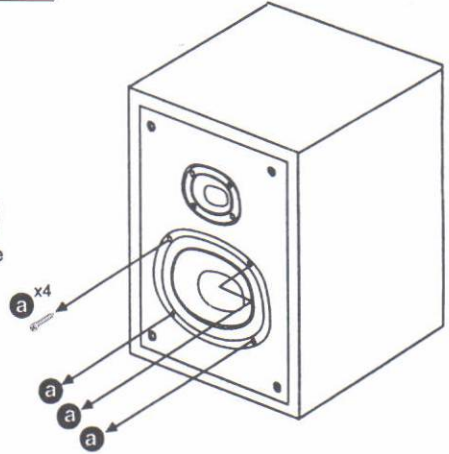
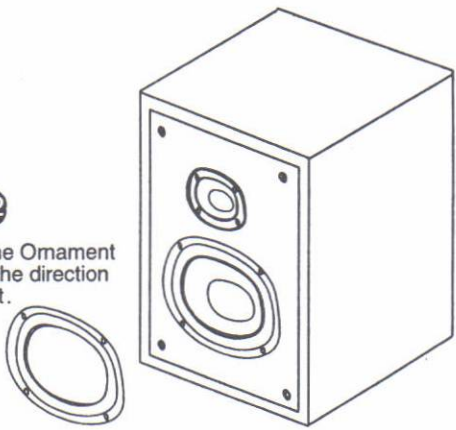
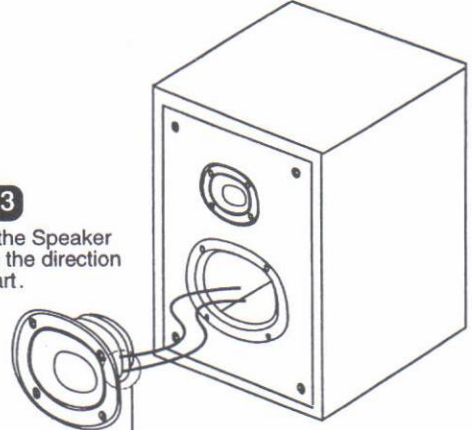
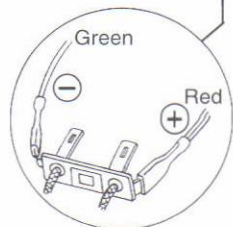
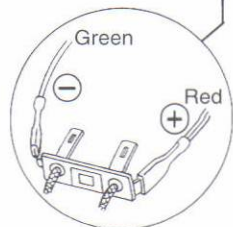

Note:

Subject à changement sans preavis.

⚠ WARNING

This service information is designed for experienced repair technicians only and is not designed for use by the general public. It does not contain warnings or cautions to advise non technical individuals of potential dangers in attempting to service product. Products powered by electricity should be serviced or repaired only by experienced professional technicians. Any attempt to service or repair the product or products dealt with in this service information by anyone else could result in serious injury or death.

DISASSEMBLY INSTRUCTIONS

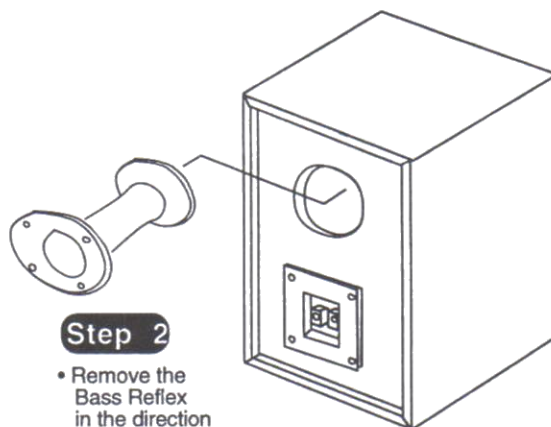
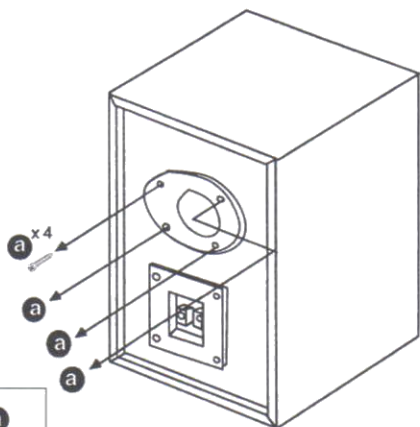
| | | |
|---|---|--|
| <p>Ref. No. 1</p> <p>Removal of the Speaker Net</p> <p>Procededure 1</p>  <p>Step 1</p> <ul style="list-style-type: none"> Remove the Speaker Net in the direction of arrow. | <p>Ref. No. 2</p> <p>Removal of the Speaker Tweeter</p> <p>Procededure 1 → 2</p>  <p>Step 1</p> <ul style="list-style-type: none"> Remove the 4 screws.  <p>Step 2</p> <ul style="list-style-type: none"> Remove the ornament and the Speaker Tweeter in the direction of front part  <p>Step 3</p> <ul style="list-style-type: none"> Remove the 2 Speaker terminals.   <p>Screw Ø 4,2 x 20 mm</p> | <p>Ref. No. 3</p> <p>Removal of the Speaker Woofer</p> <p>Procededure 1 → 3</p>  <p>Step 1</p> <ul style="list-style-type: none"> Remove the 4 screws.  <p>Step 2</p> <ul style="list-style-type: none"> Remove the Ornament Woofer in the direction of front part.  <p>Step 3</p> <ul style="list-style-type: none"> Remove the Speaker Woofer in the direction of front part.  <p>Step 4</p> <ul style="list-style-type: none"> Remove the 2 Speaker terminals.   <p>Screw Ø 4,2 x 20 mm</p> |
|---|---|--|

Ref. No. 4 **Removal of the Bass Reflex**

Procededure 4

Step 1

- Remove the 4 screws.



Step 2

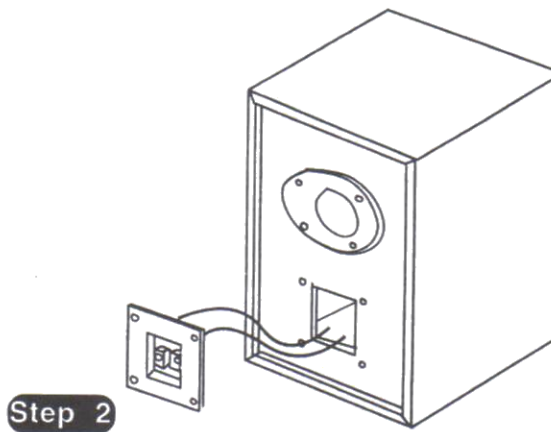
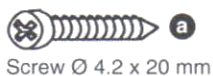
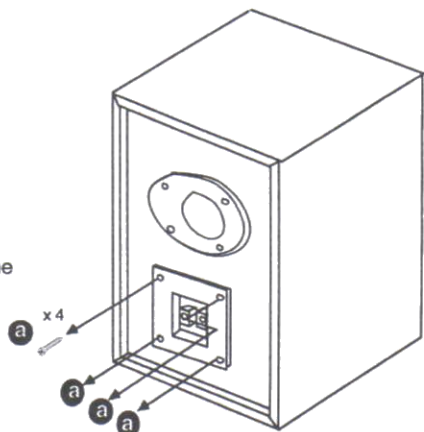
- Remove the Bass Reflex in the direction of front part.

Ref. No. 5 **Removal of the Terminal Block**

Procededure 5

Step 1

- Remove the 4 screws.



Step 2

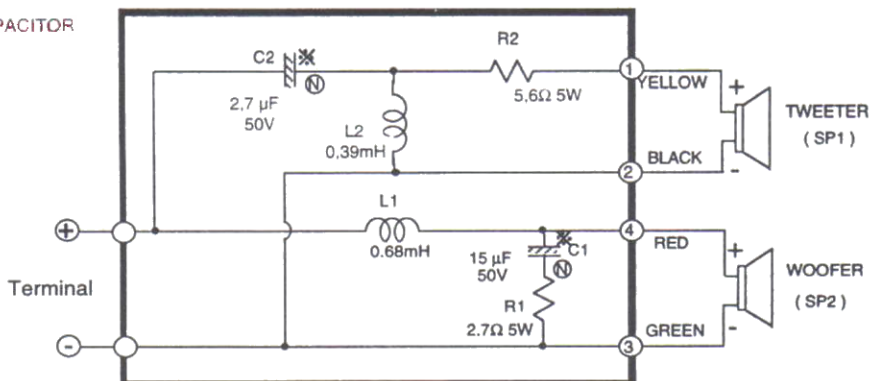
- Remove the Terminal Block in the direction of front part

SCHEMATIC DIAGRAM

(This schematic diagram may be modified at any time with development of new technology.)

(Este esquema puede ser modificado en cualquier momento con el desarrollo de nuevas tecnologías.)

⊗ (N) NON POLAR CAPACITOR



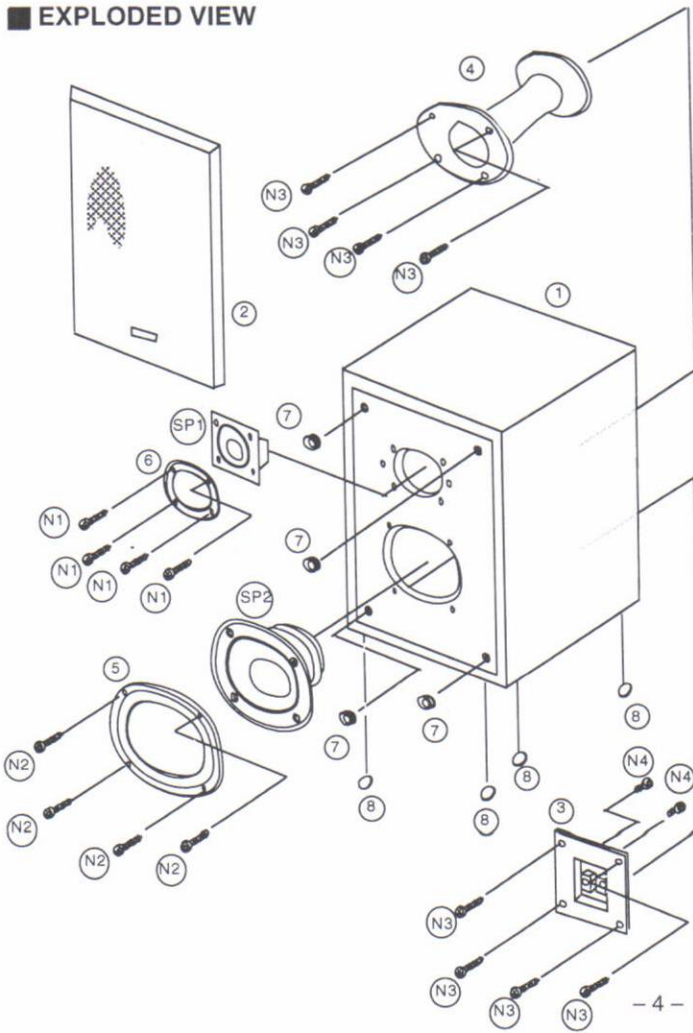
REPLACEMENT PARTS LIST

- Notes : 1. Part numbers are indicated on most mechanical parts. Please use this part number for parts orders.
 2. PAES indicates parts that are supplied by PAES.
 3. A D indicates parts that are supplied by AD. M.E.I.
- Notas : 1. El código está indicado en la mayoría de las piezas. Por favor, use este código para sus pedidos.
 2. La indicación PAES significa recambios suministrados a través de PAES.
 3. La indicación A D significa recambios suministrados a través de AD. M.E.I.

| Ref. No. | Part No. | Part Name & Description | Remarks |
|----------------------|--------------|-------------------------------|---------|
| SPEAKER (S) | | | |
| SP1 | EAST6PH01B6 | SPEAKER (TWEETER) | PAES |
| SP2 | EAS12PL339A6 | SPEAKER (WOOFER) | PAES |
| COIL (S) | | | |
| L1 | SLCP681J | CHOQUE COIL 0,68 mH | PAES |
| L2 | SLCP391J | CHOQUE COIL 0,27 mH | PAES |
| CAPACITOR (S) | | | |
| C1 | ECEA50Y15KE | NON-POLAR CAPACITOR 15µF 50V | PAES |
| C2 | ECEA50Y2R7KE | NON-POLAR CAPACITOR 2,7µF 50V | PAES |
| RESISTOR (S) | | | |
| R1 | ERF5ZXK2R7 | RESISTOR 2,7Ω 5W | A D |
| R2 | ERF5ZXK5R6 | RESISTOR 5,6Ω 5W | A D |

| Ref. No. | Part No. | Part Name & Description | Remarks |
|----------------------|-------------|----------------------------|---------|
| CABINET PARTS | | | |
| 1 | SYMPHD50A | CABINET ASS'Y | PAES |
| 2 | SYBPHD50A | NET FRAME | PAES |
| 3 | SWEPHD50A | TERMINAL ASS'Y | PAES |
| 4 | SGES8G187-1 | BASS REFLEX | PAES |
| 5 | RGKP0848-K | ORNAMENT WOOFER | PAES |
| 6 | RFK0919-K | ORNAMENT TWEETER | PAES |
| 7 | SHG8G9044 | NET HOLDER | PAES |
| 8 | RKA8G0066-K | LEG | PAES |
| SCREW (S) | | | |
| N1 | XTNP42+20FG | SCREW SPEAKER TWEETER | PAES |
| N2 | XTN42+20FG | SCREW SPEAKER WOOFER | PAES |
| N3 | XTN42+20FG | SCREW BASS REFLEX/T. BLOCK | PAES |
| N4 | XTBS42BZ+8 | SCREW P.C.B. | PAES |
| PACKING PARTS | | | |
| P1 | SPGPHD50AM | CARTON BOX | PAES |
| P2 | SPS8GBCH700 | PAD | PAES |
| P3 | SPH8G415 | SHEET | PAES |

EXPLODED VIEW



PACKAGING

